

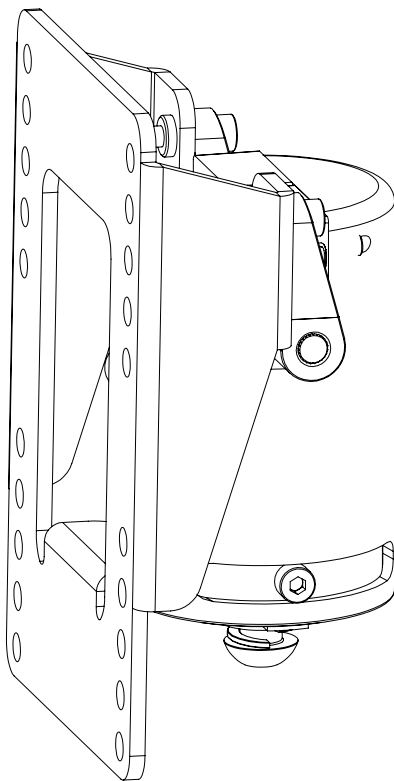


Tilt and Rotate Mount

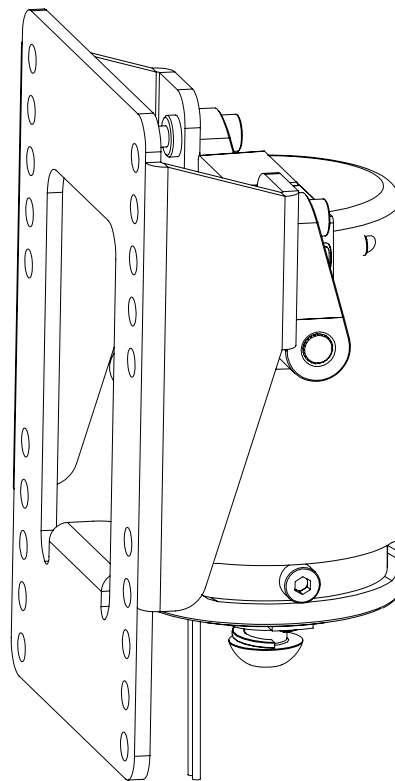
Tilt and Rotate Mount Swingaway Ready (Left-Hand Drive)

Tilt and Rotate Mount Swingaway Ready (Right-Hand Drive)

Installation Guide



Standard Version



**Swingaway-Ready
Version**

Product Description

The Tilt and Rotate Mount is designed for use with Motion mobile docks and mounting kits. The unit provides smooth movement around two axes, which allows the tablet to be easily positioned for the driver or passenger. The mount utilizes patented torque devices, so no manual locking in place is required.

The Tilt and Rotate Mount with Swingaway-Ready options are part of a safety solution for Motion vehicle docks that restrict the use of the tablet display when facing the driver of a vehicle that is in motion. The Tilt and Rotate Mount provides unrestricted use when the tablet is turned to face the passenger. For more information, see http://www.motioncomputing.com/choose/spec_tilt_rotate_mount.htm.

Tilt and Rotate Mount Swingaway Ready (Left-Hand Drive) units are designed for vehicles that have the steering wheel on the left (US, Canada, and Europe).

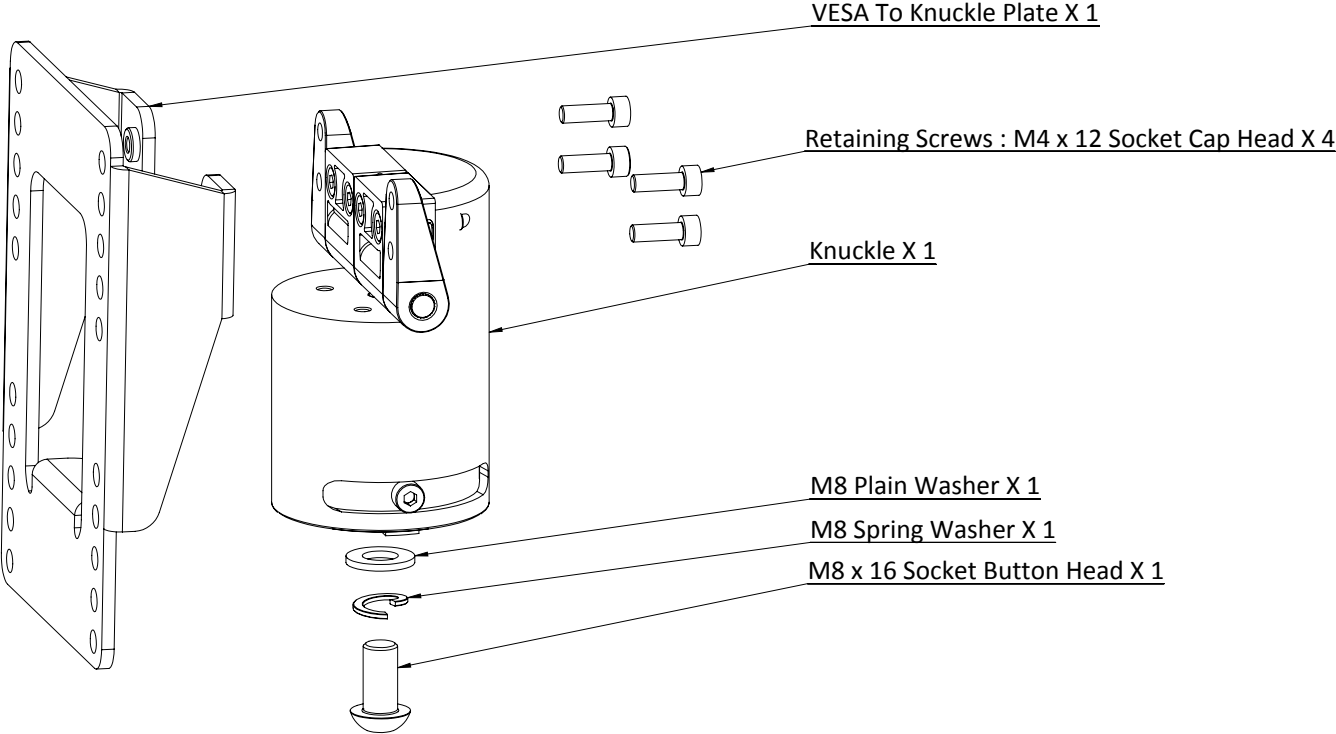
Tilt and Rotate Mount Swingaway Ready (Right-Hand Drive) units are designed for vehicles that have the steering wheel on the right (UK, Australia).

Compatible Motion Products

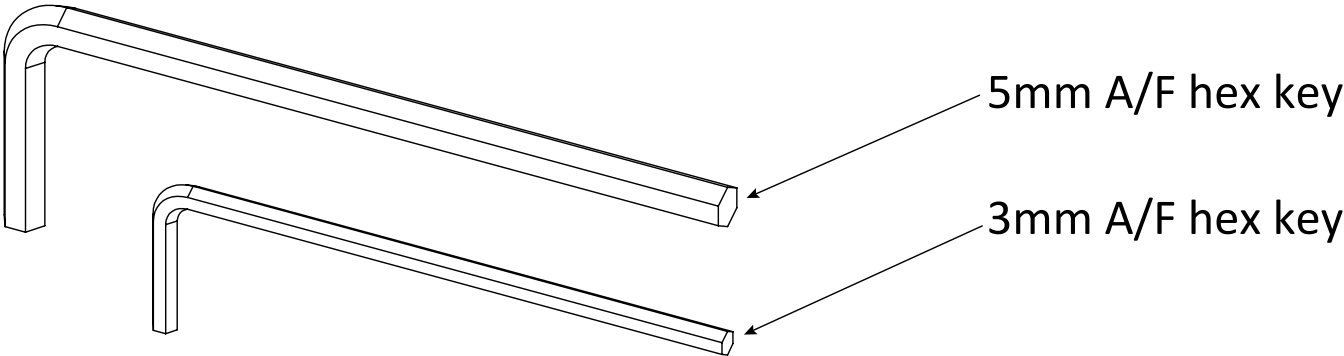
The Tilt and Rotate Mount is compatible for use with the following Motion mobile docks and mounting kits.

Dock Description	Vehicle Type	Tilt & Rotate Description
C5/F5-Series Mobile Dock w/ Key Lock	Left-hand or Right-hand Drive	Tilt and Rotate Mount
C5/F5-Series Mobile Dock w/ Key Lock – Blank-IT		
C5/F5-Series Mobile Dock w/ Key Lock – Non-Powered Cradle		
C5/F5-Series Mobile Dock w/ Key Lock – Blank-IT & Swingaway	Left-hand Drive	Tilt and Rotate Mount Swingaway Ready (Left-Hand Drive)
	Right-hand Drive	Tilt and Rotate Mount Swingaway Ready (Right-Hand Drive)
CL-Series Mobile Dock w/ Key Lock	Left-hand or Right-hand Drive	Tilt and Rotate Mount
CL-Series Mobile Dock w/ Key Lock – Blank-IT		
CL-Series Mobile Dock w/ Key Lock – Non-Powered Cradle		
CL-Series Mobile Dock w/ Key Lock – Blank-IT & Swingaway	Left-hand Drive	Tilt and Rotate Mount Swingaway Ready (Left-Hand Drive)
	Right-hand Drive	Tilt and Rotate Mount Swingaway Ready (Right-Hand Drive)

Kit Contents

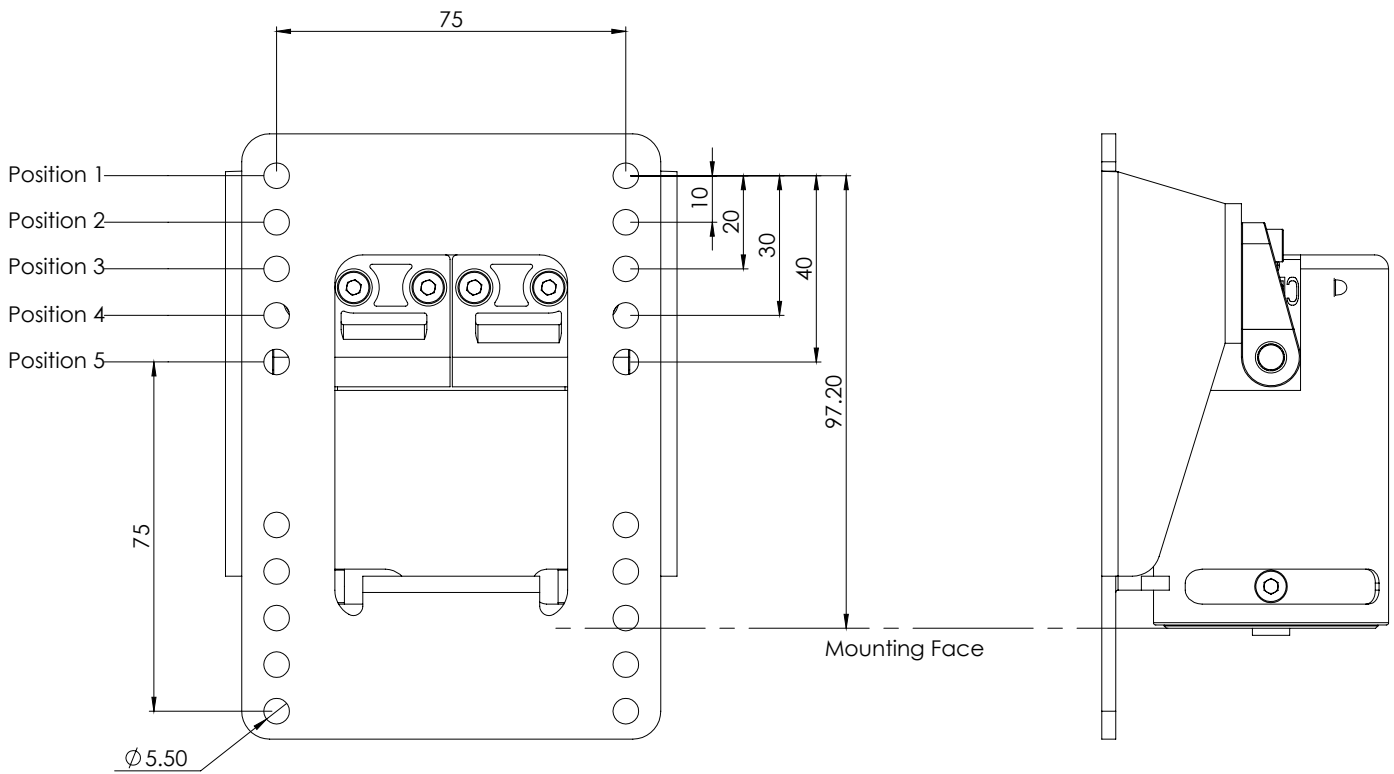


Tools Required



Default Mounting Dimensions

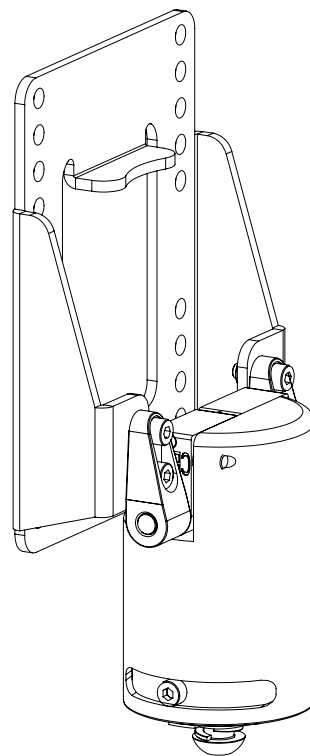
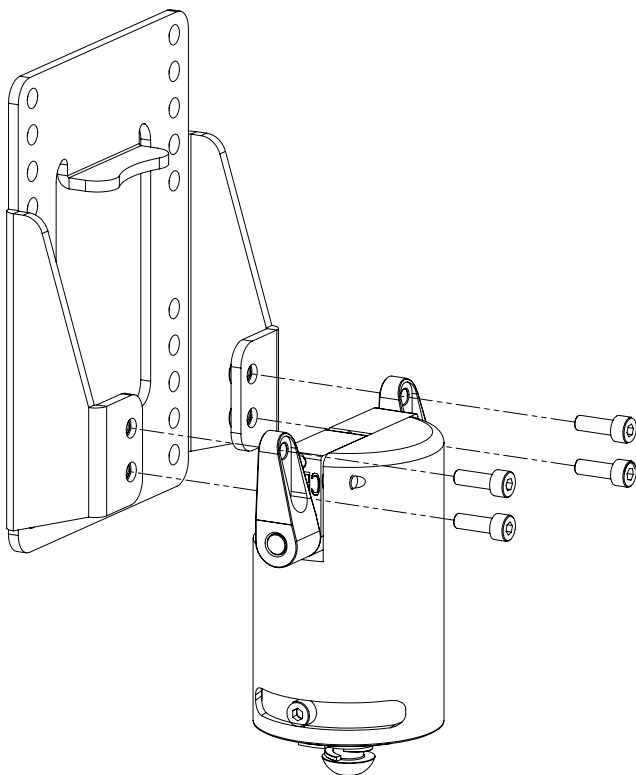
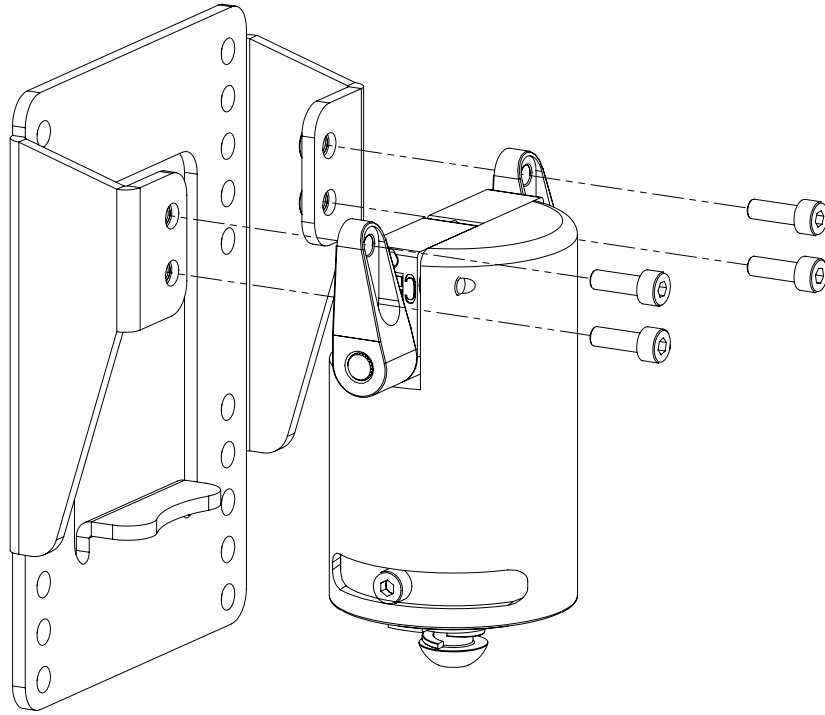
The default shipping configuration of the unit is shown below. The mounting hole pattern is VESA 75mm x 75mm and equipment can be fitted at any of the five positions shown.



Alternate VESA Plate Position for Extra Height

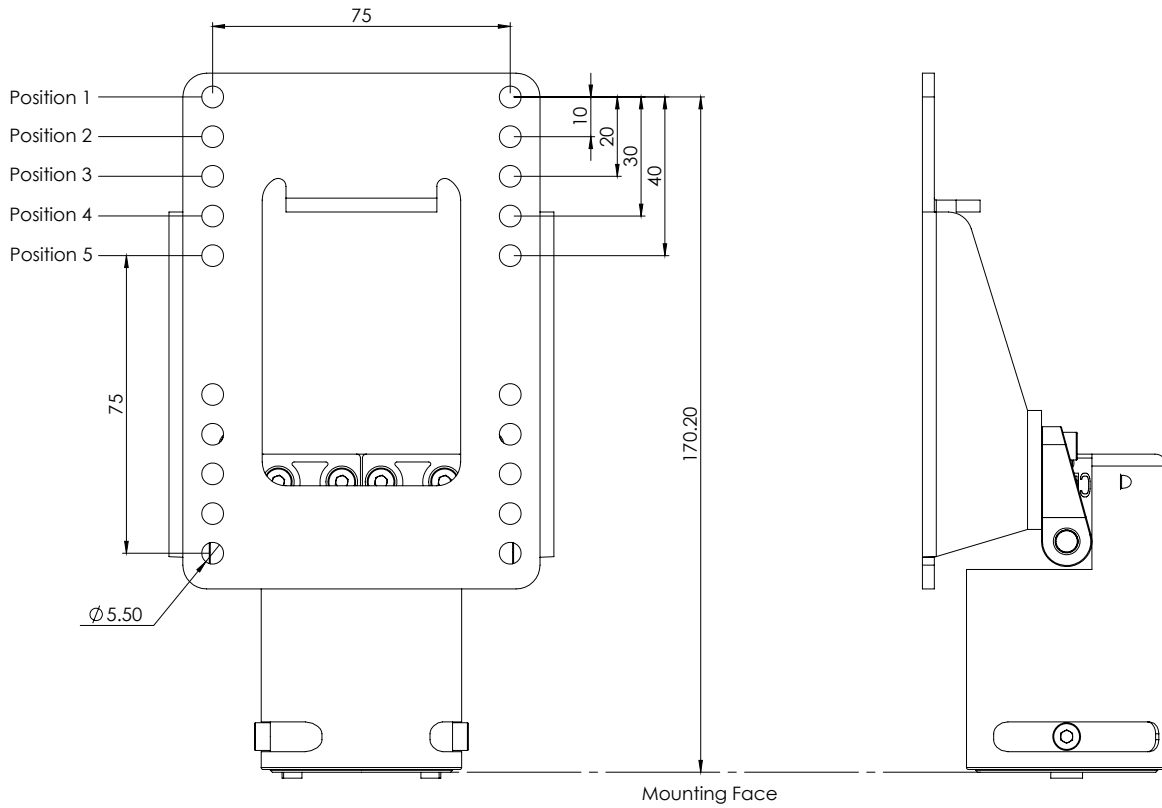
If required, the VESA Plate can be rotated by 180 degrees to give alternative mounting heights.

1. Using a 3mm A/F hex key, remove the four retaining screws as shown.
2. Rotate the VESA plate by 180 degrees and re-fit the retaining screws as shown.

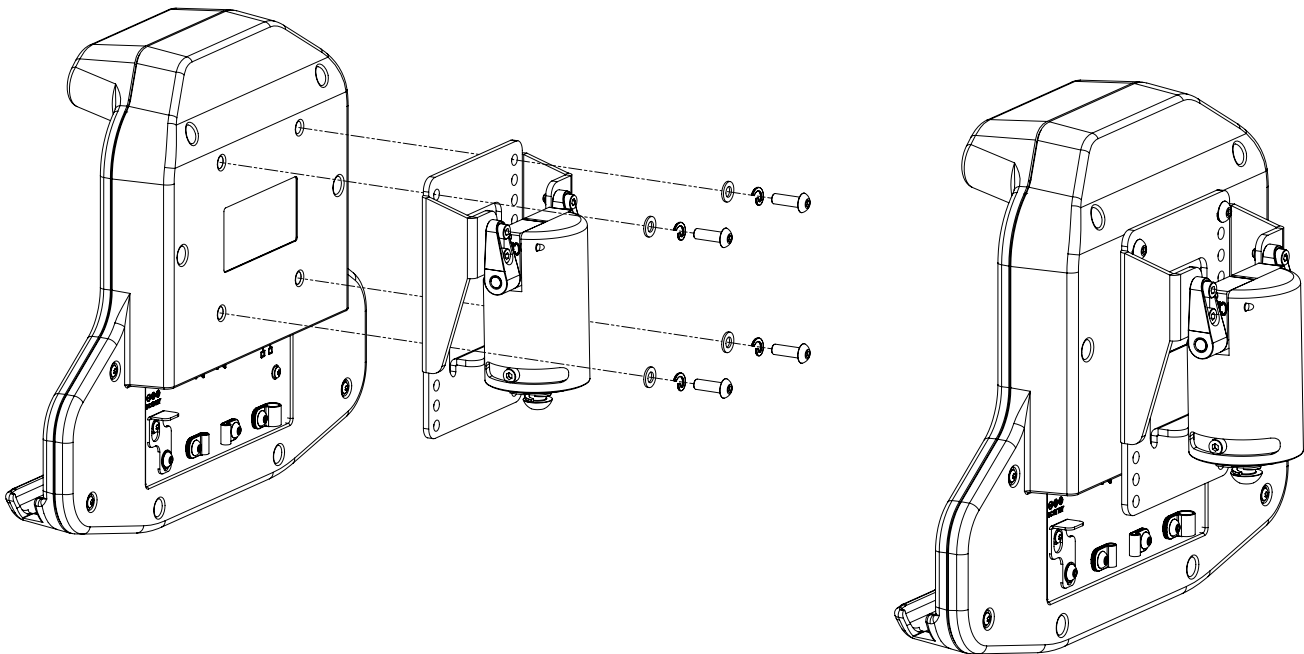


Alternate Mounting Dimensions

The alternate mounting dimensions are as shown below.



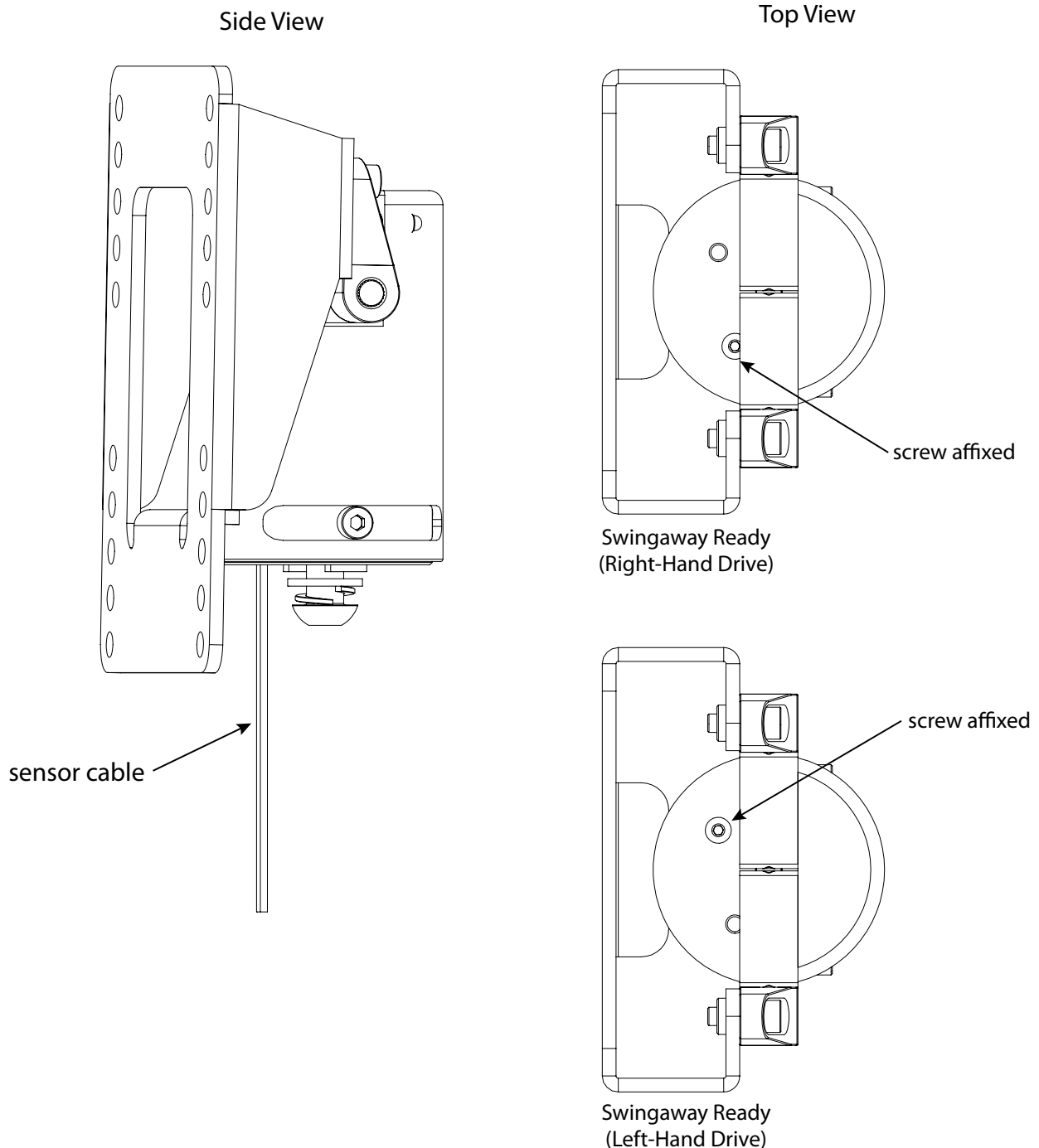
Example Assembly to Docking Station with 75mm VESA



Tilt and Rotate Mount Swingaway Ready (Left- and Right-Hand Drive)

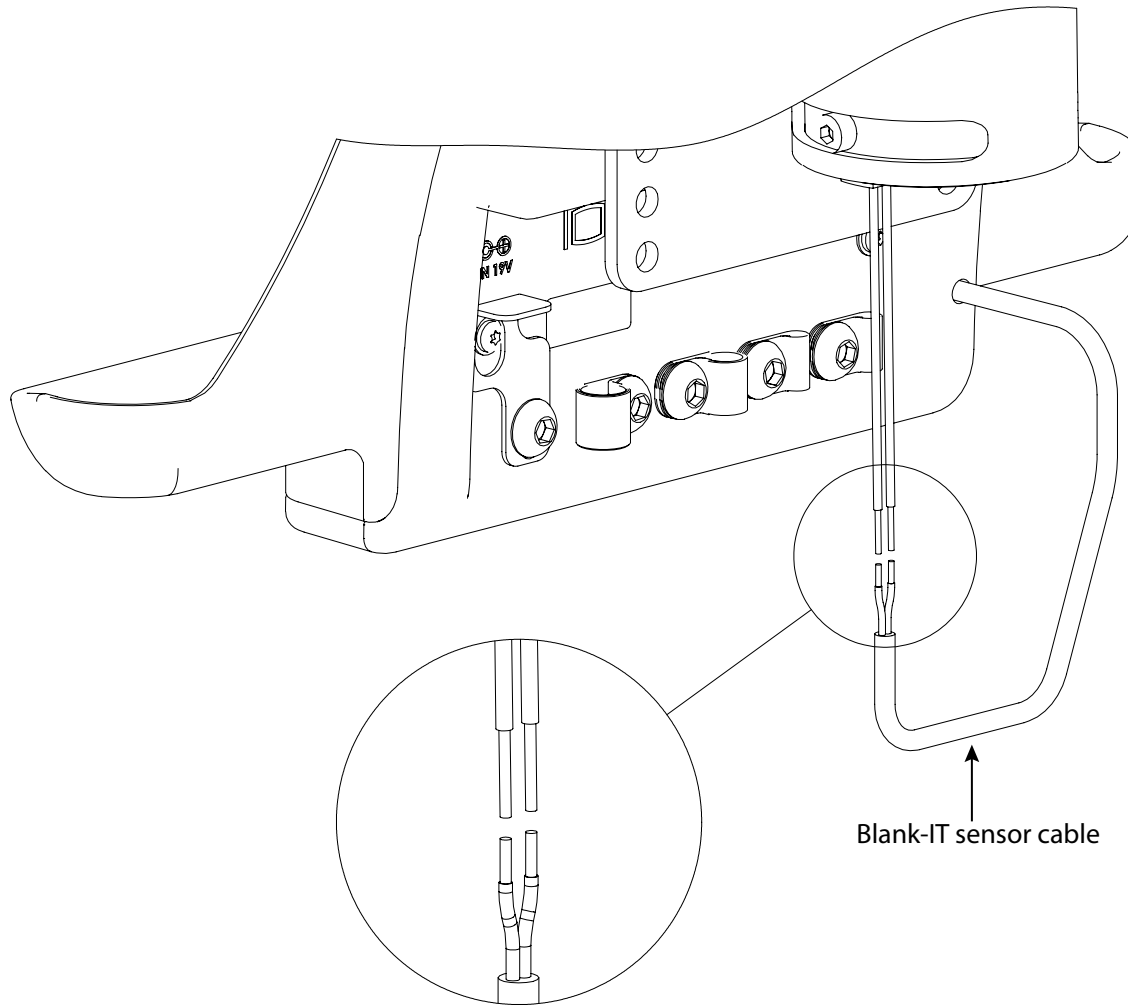
The Swingaway-Ready versions of the Tilt and Rotate Mount contain a sensor that can be connected to docking stations fitted with the Swingaway version of the Blank-IT system. Once connected, this system prevents or restricts driver access to the tablet display when the vehicle is in motion, but allows a passenger to have full access. The sensor cable shown in the illustration below is connected to the Blank-IT sensor cable that extends from the docking station, which is shown on the following page. Polarity is unimportant when connecting the sensor cables.

Please see the notes on the following page for additional information on on assembly to the dock and cable placement.



Assembly to Dock

The illustration below shows the Tilt and Rotate Mount connected to an example dock.

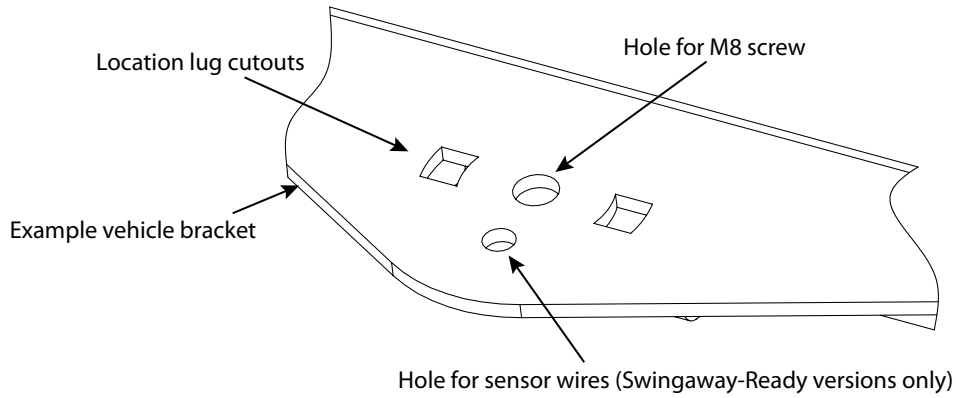


Cable Placement—Additional Information

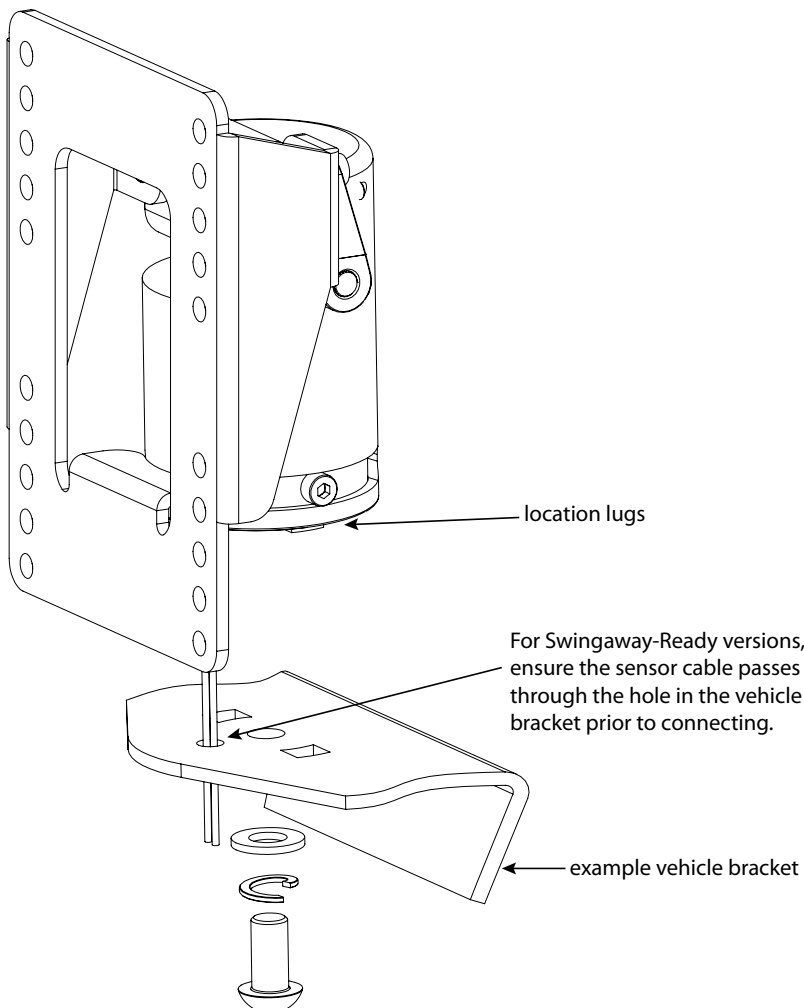
- The sensor cables from the dock and the Tilt and Rotate Mount should be connected after the unit is fitted to the vehicle bracket (not included).
- Trim the cable length to allow for the full range of motion and connect to the docking station securely.
- Soldering the sensor cables is preferred, but screw terminals or crimps are also suitable.
- Ensure the cable connection joint is properly insulated to prevent shorts and to protect the cable from accidental damage.

Assembly to Vehicle Bracket

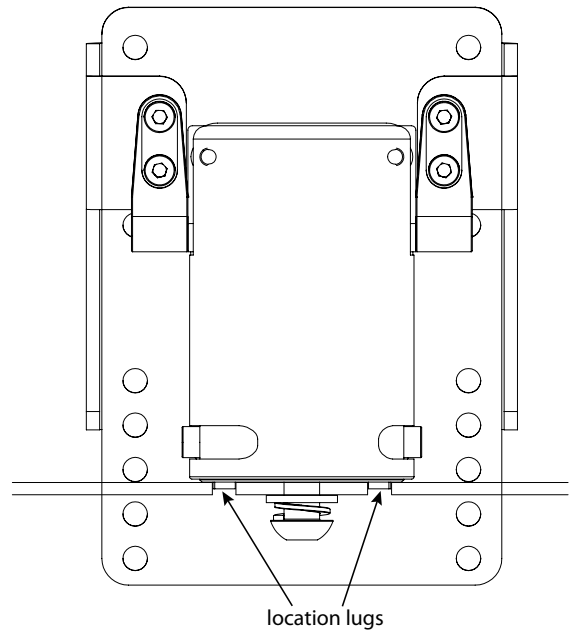
The Tilt and Rotate Mount is designed to be fitted to a vehicle bracket with a single M8 screw. Ensure that the location lugs are engaged and securely tighten the screw using a 5mm A/F hex key. Fit all washers in the order shown below. The location lugs will hold the unit in the correct position.

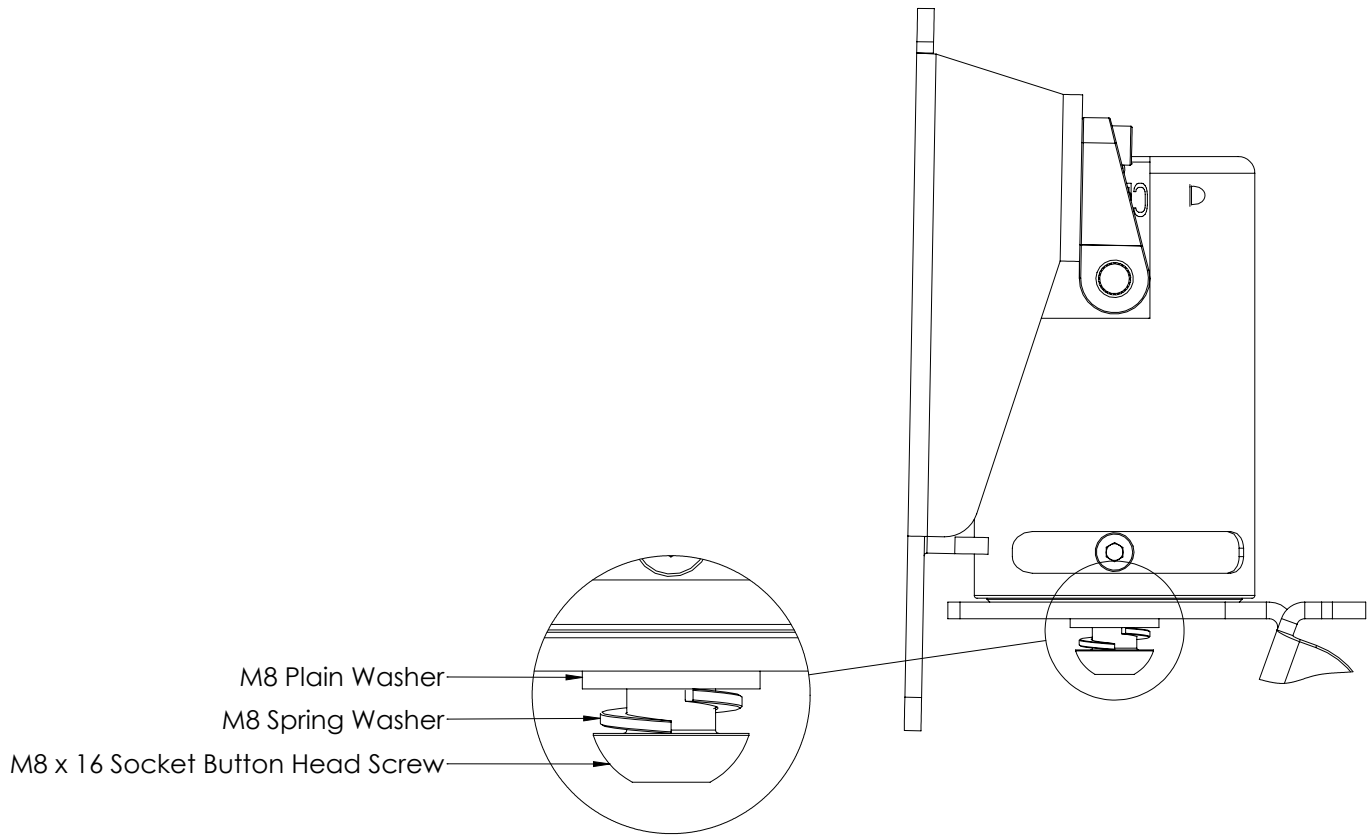


Assembly—Side View



Assembly—Rear View





Important

Observe local vehicle codes and regulations when using this product.