



Nissan PK9 Mount Kit



To suit configurations with center seat and storage compartment as below



For more information, contact your local Motion Reseller or Motion Representative.



Nissan PK9 Mount Kit

Suitable Motion Docking Stations

C5/F5 Series Mobile Dock w/Key Lock

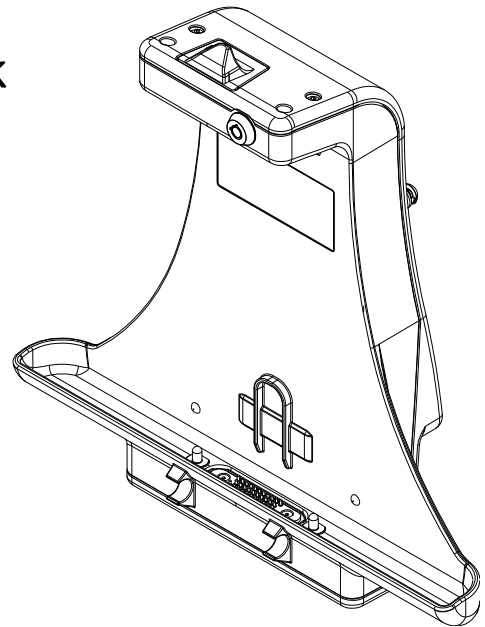
Part numbers:-

507.057.00

507.057.01

507.057.02

507.057.03



CL Series Mobile Dock w/Key Lock

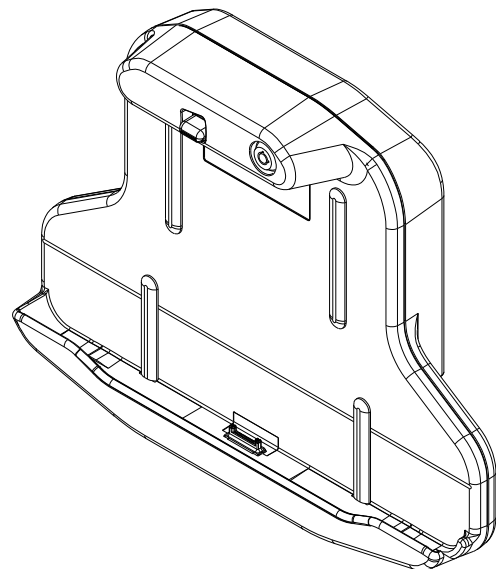
Part numbers:-

509.057.00

509.057.01

509.057.02

509.057.03

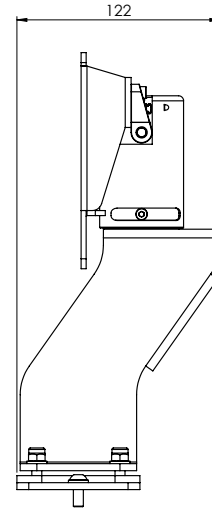
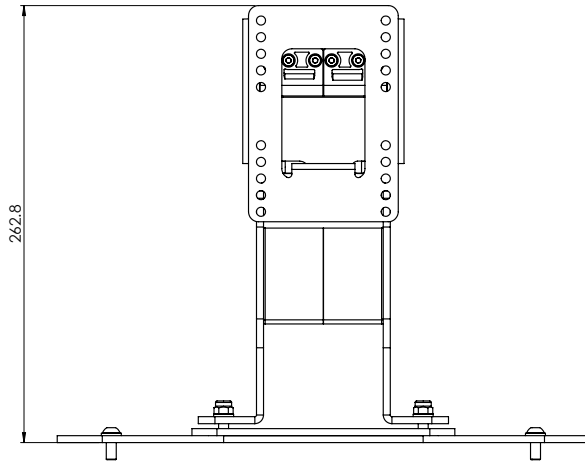
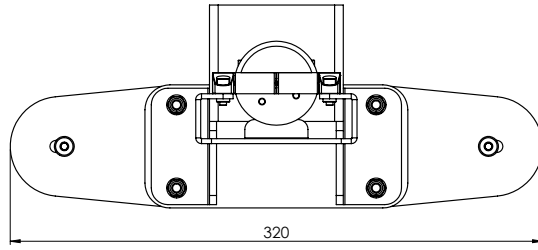


May be compatible with other equipment weighing up to 2.30Kg

For more information, contact your local Motion Reseller or Motion Representative.



Nissan PK9 Mount Kit



All Dimensions in Millimeters
Approximate Weight of Full Kit 3.0kg
75mm VESA Hole Pattern To Suit M5 Screws

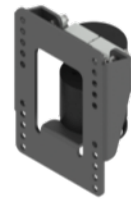
Available As



Standard Full Vehicle Kit
601.845.11
Swingaway Full Vehicle Kit
601.845.13



Vehicle Bracket Only
601.845.01



Standard Tilt and Rotate Unit Only
601.825.01
Swingaway Tilt and Rotate Unit Only
601.825.03

For more information, contact your local Motion Reseller or Motion Representative.



Nissan PK9 Mount Kit



For more information, contact your local Motion Reseller or Motion Representative.